

LED FLOODLIGHTS PLANT SERIES PRODUCT SERIES DATASHEET



LED FLOODLIGHTS PLANT SERIES

88Light Floodlight Plant Series state of the art design with low light decay, high color rendering index LED chip source light and high quality low weight aluminum alloy housing fill in a high brightness and long lifespan flood light. Floodlight is a uniform illumination can all directions point light source, its illuminated area can be adjusted.



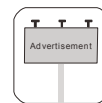
Applications:



**Horticultural
Farm**



Garden



Advertising



Backlight

PRODUCT FEATURES

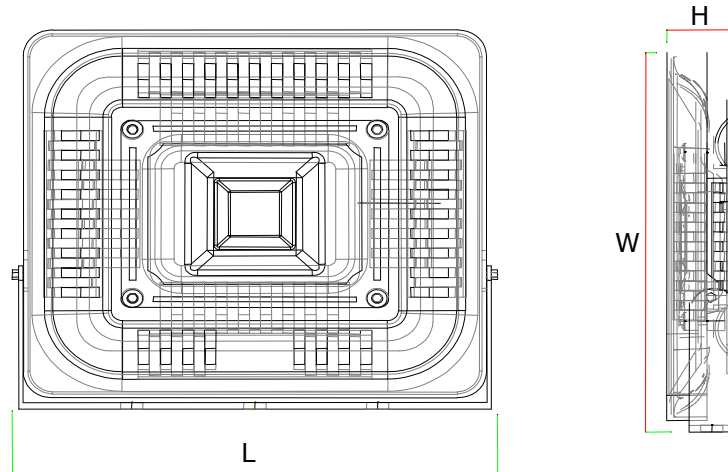
- LED driver contact with the heatsink directly and the heat dissipation is much stronger.
- With lens on the surface.
- High quality CSP COB LED chips source.
- Specially for plant application.
- The cooling structure is under patent protection (included the appearance).
- High temperature protection function.
- Low temperatures. Long lifespan.
- IP67 for outdoor application.
- No mercury and lead.
- Without causing any flickering, helpful to protect the eyes.
- CE and RoHS compliant.



LED FLOODLIGHTS PLANT SERIES
PRODUCT SERIES DATASHEET



PRODUCT DIAGRAM



Product Name	L [mm]	W [mm]	H [mm]
88L-FL-CD-30W	200	165	35
88L-FL-CD-50W	225	194	35
88L-FL-CD-100W	390	260	45
88L-FL-CD-150W	390	260	45

Note 1: the structure drawing is only for showing the dimensions.

TECHNICAL DATA

Electrical characteristics: ^{2, 3}

Product Name	Operating Voltage ³	Frequency [Hz]	Power [W]	Power Factor [%]	LED Style	IP Grade
88L-FL-CD-30W	AC170-265V	50 / 60	30	≥0.95	1pcs CSP COB	IP67
88L-FL-CD-50W	AC170-265V	50 / 60	50	≥0.95	1pcs CSP COB	IP67
88L-FL-CD-100W	AC170-265V	50 / 60	100	≥0.95	2pcs CSP COB	IP67
88L-FL-CD-150W	AC170-265V	50 / 60	150	≥0.95	3pcs CSP COB	IP67

Note 2: Absolute ratings @ 25°C.

Note 3: For USA the input voltage is AC90-140V.

LED FLOODLIGHTS PLANT SERIES
 PRODUCT SERIES DATASHEET



TECHNICAL DATA

Optical Characteristics: ^{2, 4}

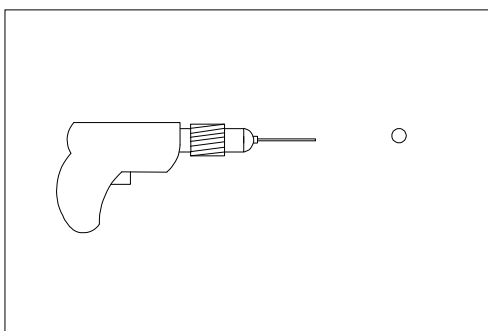
Product Name	Color	Color Temperature [°K]	Luminescence [lm]	CRI (Ra)	Beam angle [°]
88L-FL-CD-30W	Pink	---	2000	---	120
88L-FL-CD-50W	Pink	---	3000	---	120
88L-FL-CD-100W	Pink	---	6000	---	120
88L-FL-CD-150W	Pink	---	9000	---	120

Note 2: Absolute ratings @ 25°C.

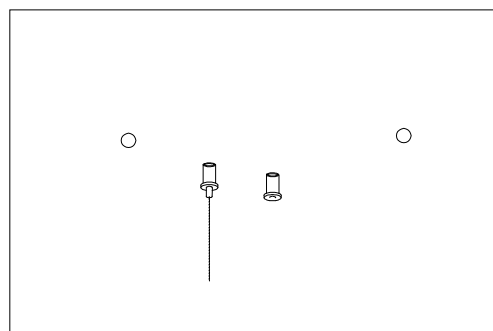
Note 4: Tolerance of measurement of luminous intensity±8%.

PRODUCT INSTALLATION:

Precaution: Switch off power before doing any works.



Open hole for the floodlight where the floodlight will be installed.



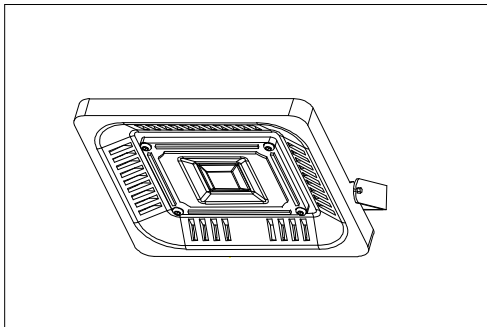
Insert the wall plug, (if needed, install the rope).

LED FLOODLIGHTS PLANT SERIES PRODUCT SERIES DATASHEET

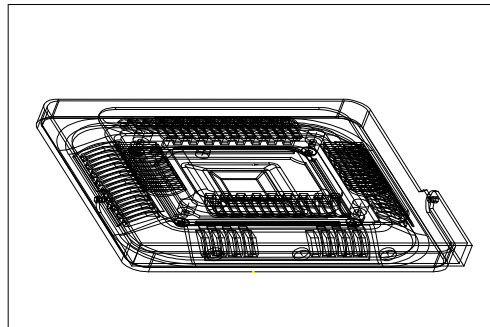


PRODUCT INSTALLATION:

Precaution: Switch off power before doing any works.



Place the floodlight to where it will be installed and fix the screws well.



Adjust the direction of the light.

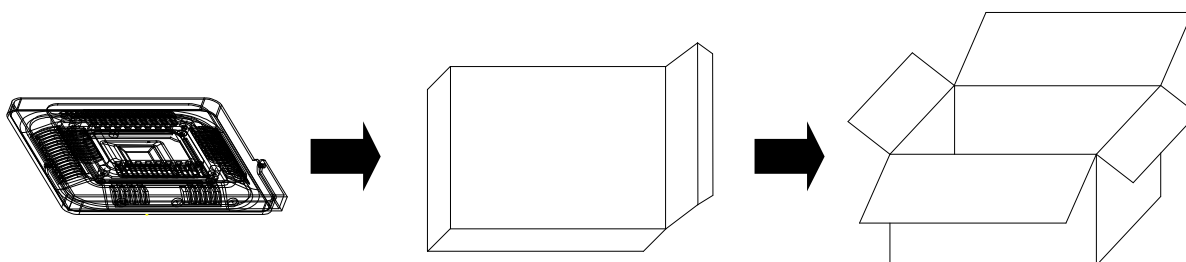
SAFETY

1. **Always** consult a qualified, licensed electrician prior to the installation of this product.
2. **Always** ensure that all components are joined properly before they are installed.
3. It is recommended that adequate airflow and heatsink be taken into account in the application and installation of this product. Improper thermal management may lead to premature failure.
4. If any doubt about the installation or use of this product, consult a competent electrician.
5. Exceeding the operating temperature values may damage LED chips by reducing the total lamp life and lumen output, and inversely impact color consistency.
6. Switch off power of the mains supply or respectively of the connection lead before doing any works.
7. Avoid voltage drops by using a dedicated line for each maximum power consumption line.
8. The manufacturer rates each power supply for maximum power output at optimum thermal and voltage conditions. As with any power supply, true actual maximum continuous current output depends upon various environmental factors such as ambient temperature, line voltage fluctuations, and orientation that may affect heat dissipation. For optimum performance, make sure the load is between 50% and 80% of the total capacity of the power supply.
9. LED products are continuously being improved upon in ever-shortening manufacturing cycles. LED color temperature (kelvin), lumen output, and product appearance can change from order to order. Please note that variation in color temperature (kelvin) is commonly +/- 250k and brightness (lumens) is +/- 10%.

LED FLOODLIGHTS PLANT SERIES
PRODUCT SERIES DATASHEET



PACKING: ⁵



Product Name	Box Size(LxWxH)[cm]	Carton Size(LxWxH)[cm]	Qty/carton [pcs]	Gross Weight [Kg]
88L-FL-CD-30W	20x18.5x4.5	42x25x38.5	20	12.5
88L-FL-CD-50W	22.5x20x4.5	47x25x41.5	20	13.5
88L-FL-CD-100W	40x27x6.0	49x41x28.5	10	19.0
88L-FL-CD-150W	40x27x6.0	49x41x28.5	10	20.0

Note 5: Package information is only for reference.

OTHER 88Light PRODUCTS:

For more information about 88Light products, or to use our online energy saving calculation software please visit our website

www.88light.com

DISCLAIMER:

88Light reserves the right to modify the design of our products as part of the company’s program of continuous improvement. 88Light cannot guarantee to match existing installed product for subsequent orders or replace the product exactly to match the product you are replacing in product appearance, color, or brightness. Specifications are subject to change without notice.